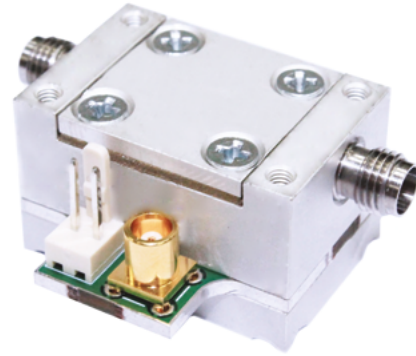


# IM-20 pulse modulator

## Features

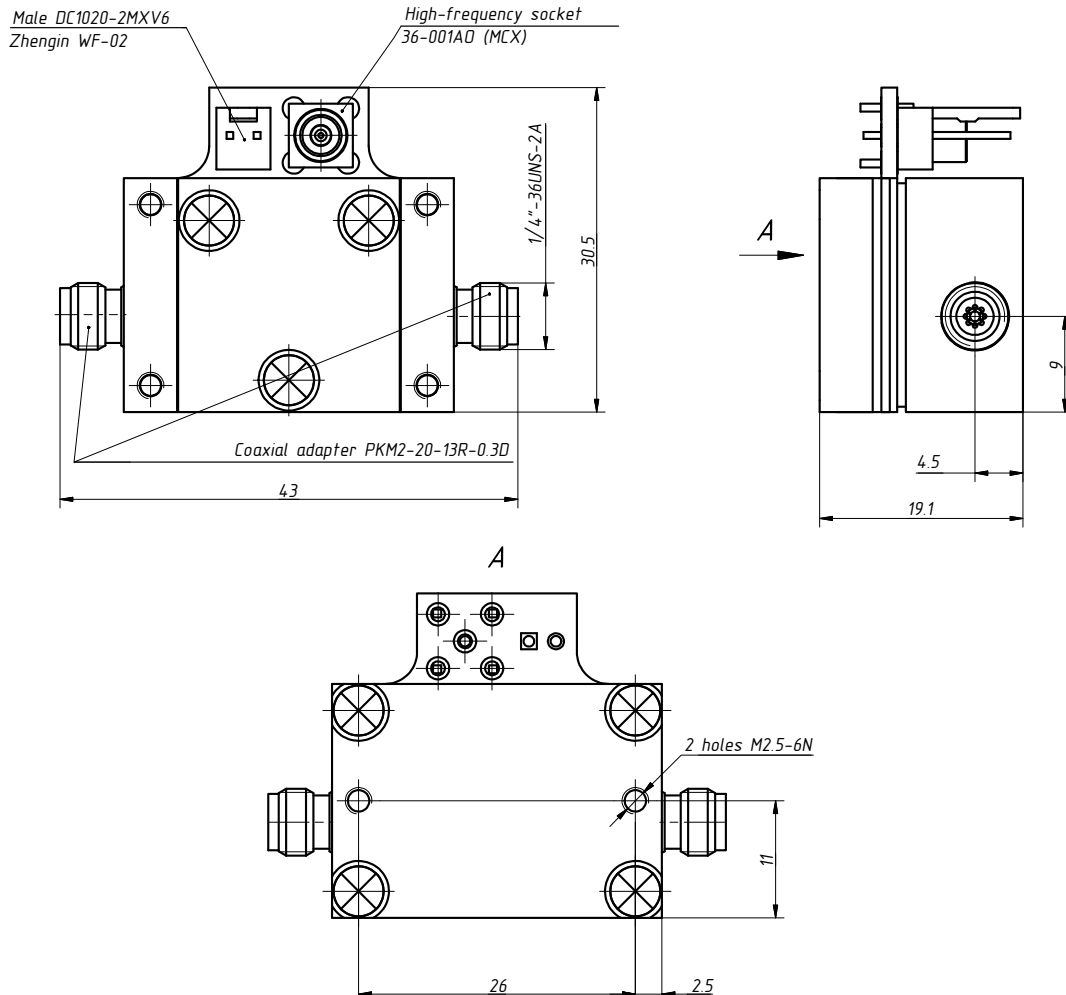
- Wide frequency range from 10 MHz to 20 GHz
- High power attenuation during the pause  $\geq 70$  dB
- Pulse envelope front/tail time is  $< 10$  ns
- Standard 5 V TTL signal control
- Both modulator ports can be used both as input and output.



## Description

IM pulse modulators are used for pulse modulation of continuous harmonic signals. Due to their small size, IM-20 may be built into various equipment. IM-20 units are available with 3.5 mm coaxial microwave connectors (female).

## Dimensions



## Specifications

<b>Operating frequency range</b>	<b>10 MHz ... 20 GHz</b>
Power attenuation during the pause	≥ 70 dB
Pulse envelope front/tail time	< 10 ns
Minimum pulse duration	20 ns
Maximum pulse repetition rate	25 MHz
Control signal to pulse delay	≤ 20 ns
Insertion loss	< 7 dB
VSWR	< 2.5
Input power level for 1 dB compression, within frequency range from 0.5 GHz to 18 GHz	≥ +19 dBm
Maximum input power level	+27 dBm
<b>Power supply</b>	
Voltage	-12 ... -6 V
Current	≤ 30 mA
Connector	WF-02
<b>Control</b>	
Power off level	2 ... 5 V
Power on level	0 ... 0.8 V
Input resistance	> 10 kOhm
Connector	MCX (female)
Dimensions (WxDxH)	42 × 28.5 × 18.5 mm
Weight	28 g

## Ordering information

- IM-20 — pulse modulator.